

# SINGLE HANDLE BATHROOM SINK FAUCET SPECIFICATIONS

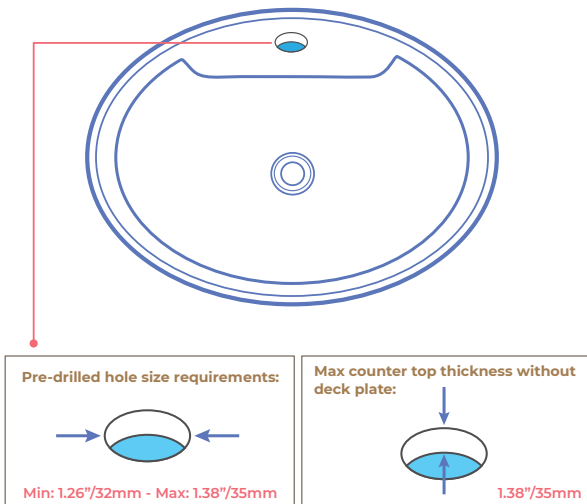


unit: inch

## Specifications

- Installation Type: Deck Mounted
- Hot & Cold Water: Yes
- Valve Core Material: Ceramic
- Faucet Mount: Single Hole
- Number of Handles: Single Handle
- Material: Brass
- Water Pressure: Working Pressure: 0.05-0.8 Mpa
- Recommend Pressure: 0.1-0.5 Mpa
- Flow Rate: 1.2 GPM

## Hose Size Chart



Product shown is only for installation display purpose



All dimensions and specifications are nominal and may vary. Use actual products for accuracy in critical situations.